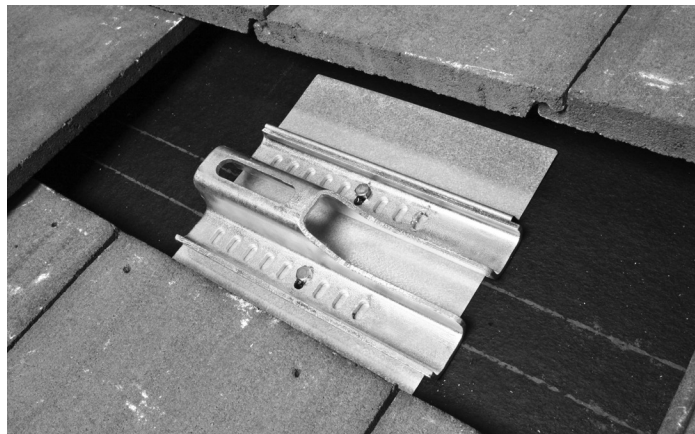




Base Flashing before lag screws installed or sealant applied



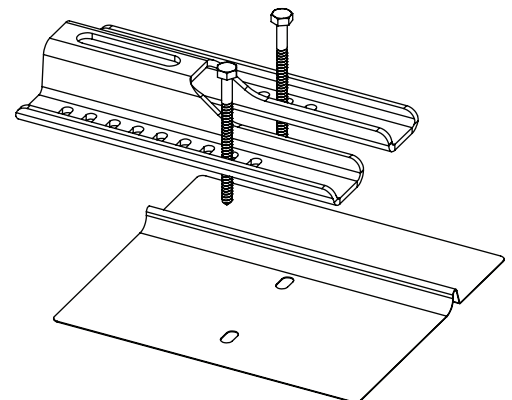
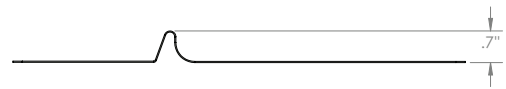
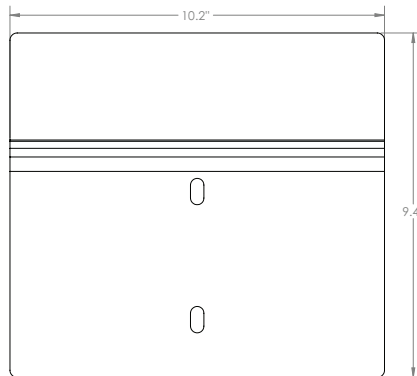
Base Flashing with Sled installed prior to bibbing

Pegasus Solar's LightSpeed Base Flashing delivers the ultimate in waterproofing for Flat, S and W tile roofs. Contractors may choose to add this to the installation when required to double flash the system. Both the three-course and felt paper bibbing method may be used for installation.

- Use as extra layer of protection against leaks
- One-piece construction
- Installs on roof underneath Tile Replace Sled
- Nested design reduces packaging

Use as an optional part of the LightSpeed Tile Replace system. Many installations do not require use of a Base Flashing.

Base flashings are supplied in packages of 6 with lag screws.



Specifications	Base Flashing
Construction	One-piece Formed Metal
Water Barrier Height	0.7"
Installation	Three-Course or Felt Paper Bibbing Method
Washers Required	None
Material	Galvalume
Finish	Mill
Weight	0.70lbs/318gr

Patents Pending. All rights reserved.
© 2016 Pegasus Solar Inc.