



Double Mount shown extending cantilever



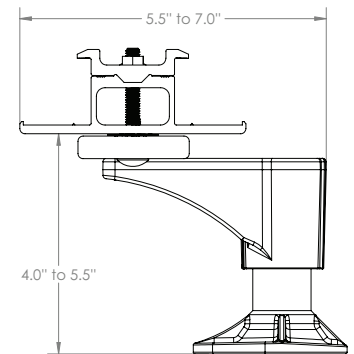
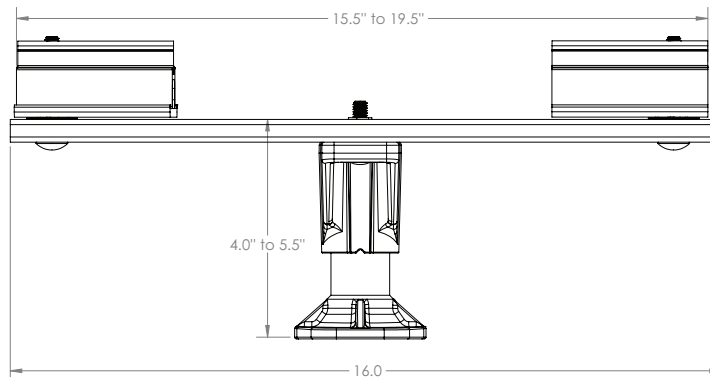
Double Mount shown under corner hinges

Pegasus Solar's LightSpeed Double Mounts deliver extra flexibility for system design and installation. They help in cases where the row cantilever is greater than allowed using a Single Mount and on occasions when Corner Hinges are directly above a rafter.

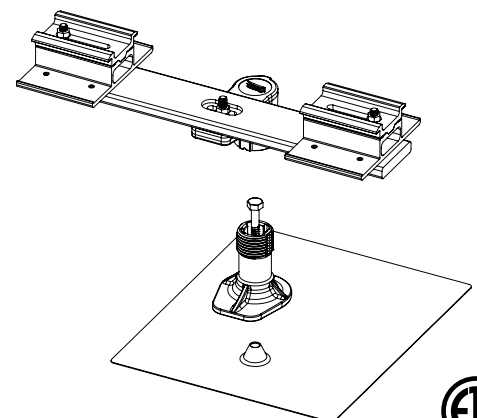
- Adds 7" of cantilever flexibility
- 1 1/2" leveling range
- 6" North/South adjustability
- 5/16" SS hardware standard
- Integrated grounding
- For all standard PV modules

Use as an optional part of the LightSpeed system. Many installations will not require Double Mounts.

Double Mounts are supplied in kits that include flashings, lag screws and corner hinge bolts – everything needed for installation in a single box.



Specifications	Double Mounting Assembly
PV Module Frames	35mm and 40mm
Cantilever Extension	7" of Additional Cantilever
North/South Adjustability	+/- 3", 6" Total
Leveling Range	1 1/2"
Height Change / Rotation	1/8"
Tool Required	1/2" Deep Socket
Hardware	5/16" SS
Integrated Grounding	Yes
Material	Aluminum with SS Hardware
Finish	Partially Anodized Black
Testing and Certifications	UL STD 2703, ASCE 7-05 & 7-10
Weight	4.6lbs/2105gr



Patents Pending. All rights reserved.
© 2016 Pegasus Solar Inc.

