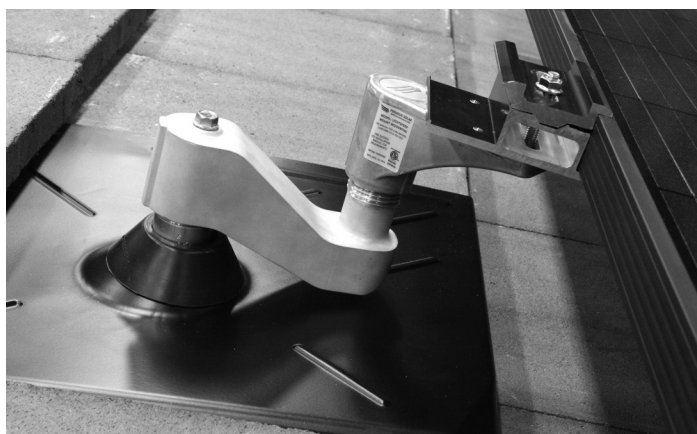




Single Mount with Extension installed



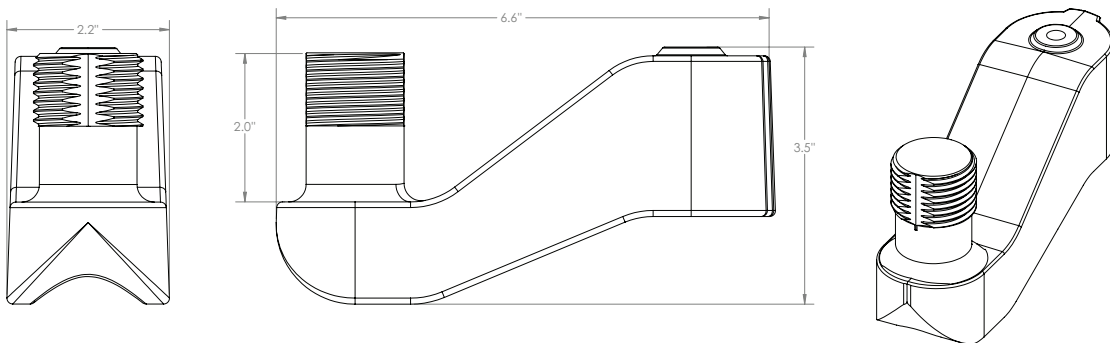
Down the roof shot with modules installed

Pegasus Solar's LightSpeed Tile Extensions make it easy to adjust North/South mount spacing or correct for course changes on the roof. When used with Single and Double Mounts, the extension increases the range of North/South adjustment to 14".

- Stainless Steel bolt secures extension to post
- Cast aluminum construction
- Provides additional flexibility for tile headlap variances

Use as an optional part with LightSpeed Flat, S and W Rail-Free Tile Replace systems. Many installations will not require extensions.

Extensions are supplied in packages of 6.



Specifications	Optional Extension
North/South Adjustability	Increases North / South to +/-7", 14" Total
Installation Hardware	5/16" SS Bolt
Installation Tool	1/2" Socket
Material	Aluminum
Finish	Mill
Weight	1.45lbs/658gr

