

Optional Portrait Skirt shown installed



Male and female ends of Skirts coming together

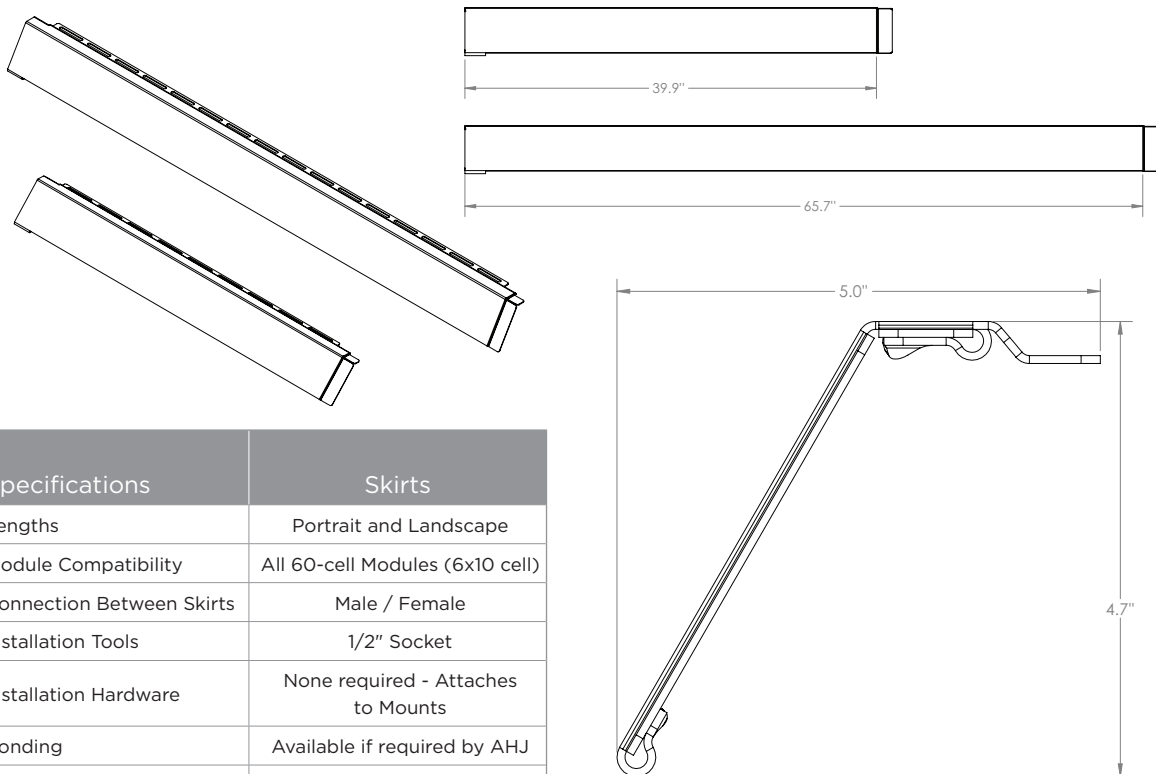
Pegasus Solar's LightSpeed Portrait and Landscape Skirts deliver superior aesthetics and are completely optional. They are not required for module alignment or for UL 1703 Fire Rating Class A standards*. They may be installed at any time during the installation and attach to the bottom row of Single and Double Mounts.

- Landscape and portrait sizes
- Quick fit, slide together design
- No cutting required
- Fit standard 60 cell modules
- No additional hardware needed

Skirts bolt onto Single and Double Mounts and are optional for all installations.

Portrait and landscape skirts are supplied in packages of six.

*See Installation Manual for more details



Specifications	Skirts
Lengths	Portrait and Landscape
Module Compatibility	All 60-cell Modules (6x10 cell)
Connection Between Skirts	Male / Female
Installation Tools	1/2" Socket
Installation Hardware	None required - Attaches to Mounts
Bonding	Available if required by AHJ
Finish	Matte Black Powder Coating
Testing and Certifications	UL 1703 Fire Rated Class A
Weight	Portrait: 2.4lbs, 1070gr; Landscape: 3.8lbs, 1738gr

Patents Pending. All rights reserved.
© 2016 Pegasus Solar Inc.

