



Single Mount shown installed on comp shingles



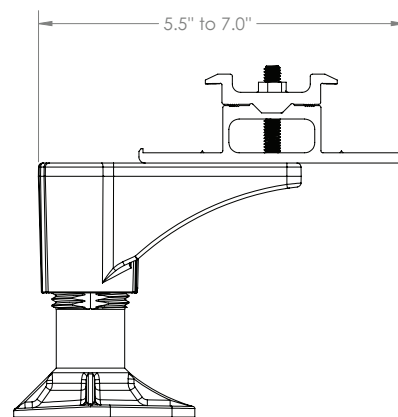
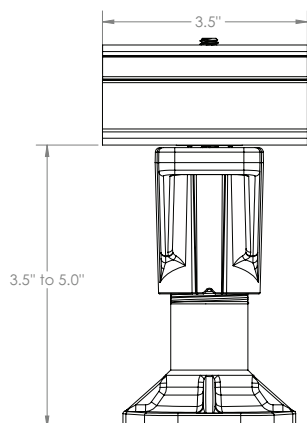
Single Mount with modules

Pegasus Solar's LightSpeed Single Mounts come pre-assembled for fast and easy installs. The patent pending threaded design allows for rapid leveling and N/S and E/W adjustments. When assembled the system permanently encases the lag screw eliminating the need for sealing washers. The universal design eliminates mid clamps, end clamps and other loose hardware on the roof.

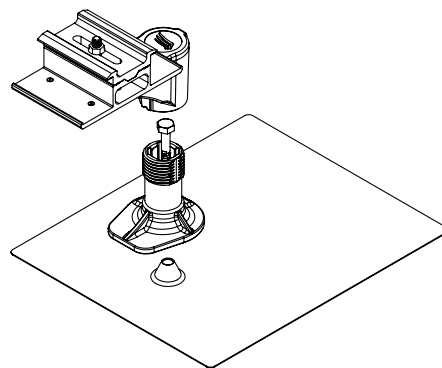
- 1 1/2" leveling range
- 6" North/South adjustability
- Rafter attached up to 6' spans
- 5/16" SS hardware standard
- Integrated grounding
- For all standard PV modules

Single Mounts are the standard mount used in all PV installations.

Single Mounts are supplied in kits that include flashings, lag screws and corner hinge bolts - everything needed for installation in a single box.



Specifications	Single Mounting Assembly
PV Module Frames	35mm and 40mm
North/South Adjustability	+/- 3", 6" Total
Leveling Range	1 1/2"
Height Change / Rotation	1/8"
Tool Required	1/2" Deep Socket
Hardware	5/16" SS
Integrated Grounding	Yes
Material	Aluminum with SS Hardware
Finish	Partially Anodized Black
Testing and Certifications	UL STD 2703, ASCE 7-05 & 7-10
Weight	1.9lbs / 860gr



Patents Pending. All rights reserved.  
© 2016 Pegasus Solar Inc.